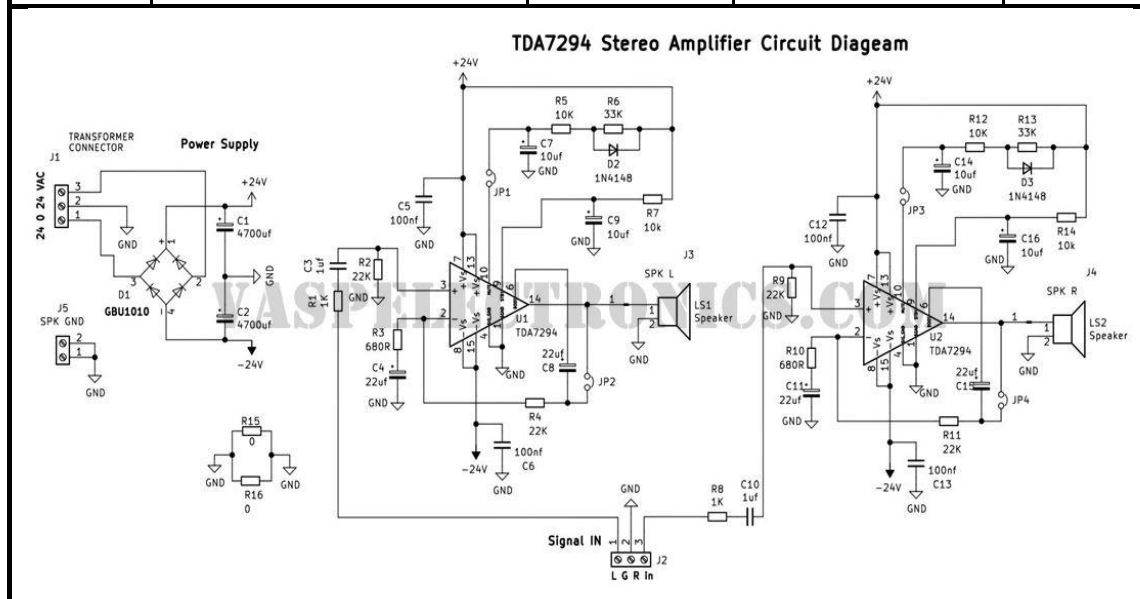




TUSKER X2 - TDA7294 Stereo Amplifier List of Parts

Sr.no.	Description	References	Value	Quantity Per PCB
1	Unpolarized capacitor	C5 C6 C12 C13	100nf / 100v	4
2	Unpolarized capacitor	C3 C10	10uf / 50v	2
3	Polarized capacitor	C7 C9 C14 C16	10uf / 50v	4
4	Polarized capacitor	C4 C8 C11 C15	10uf / 50v	4
5	Polarized capacitor	C1 C2	2200uf / 50v	2
6	Diode - 1N4148	D2 D3	1N4148	2
7	Bridge Rectifier 10 Ampere	D1	GBU1010	1
8	Transformer Connector	J1	24 0 24 VAC	1
9	Signal Input Connector	J2	L G R in	1
10	Speaker - Connector	J5	SPK GND	1
11	Speaker + Connector	J3 J4	SPK L / SPK R	2
12	Wire Jumper / 0 Ω Resistor	JP1 JP2 JP3 JP4	Wire / 0 Ω	4
14	Wire Jumper / 0 Ω Resistor	R15 R16	Wire / 0 Ω	2
15	Resistor, small symbol	R3 R10	680R	2
16	Resistor, small symbol	R1 R8	1K	2
17	Resistor, small symbol	R5 R7 R12 R14	10K	4
18	Resistor, small symbol	R2 R4 R9 R11	22K	4
19	Resistor, small symbol	R6 R13	33K	2
20	TDA7294 / TDA7293	U1 U2	TDA7294	2



For More information please visit - vaspelectronics.com