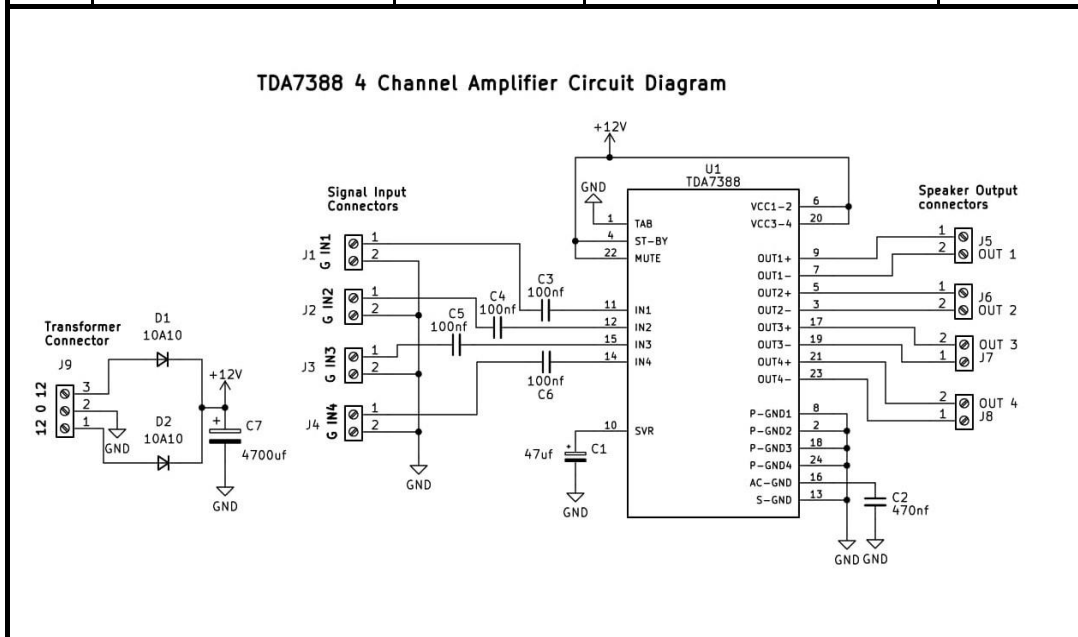




## OCTOPUS TDA7388 4 Channel Amplifier List of Parts

Sr.no.	Part description	References	Value	Qty
1	Non Polar capacitor	C3 C4 C5 C6	100nf / 50v	4
2	Non Polar capacitor	C2	470nf / 50v	1
3	Polarized capacitor	C1	47uf / 25v	1
4	Polarized capacitor	C7	4700uf / 25v	1
5	Rectifier Diode	D1 D2	10A10	2
6	Transformer Connector	J9	12 0 12 VAC 5A	1
7	Signal Input Connector	J1 J2 J3 J4	IN1 IN2 IN3 IN4	4
8	Speaker Connector	J5 J6 J7 J8	OUT1 OUT2 OUT3 OUT4	4
9	TDA7388 ic	U1	TDA7388	1



For More information please visit - [vaspelectronics.com](http://vaspelectronics.com)