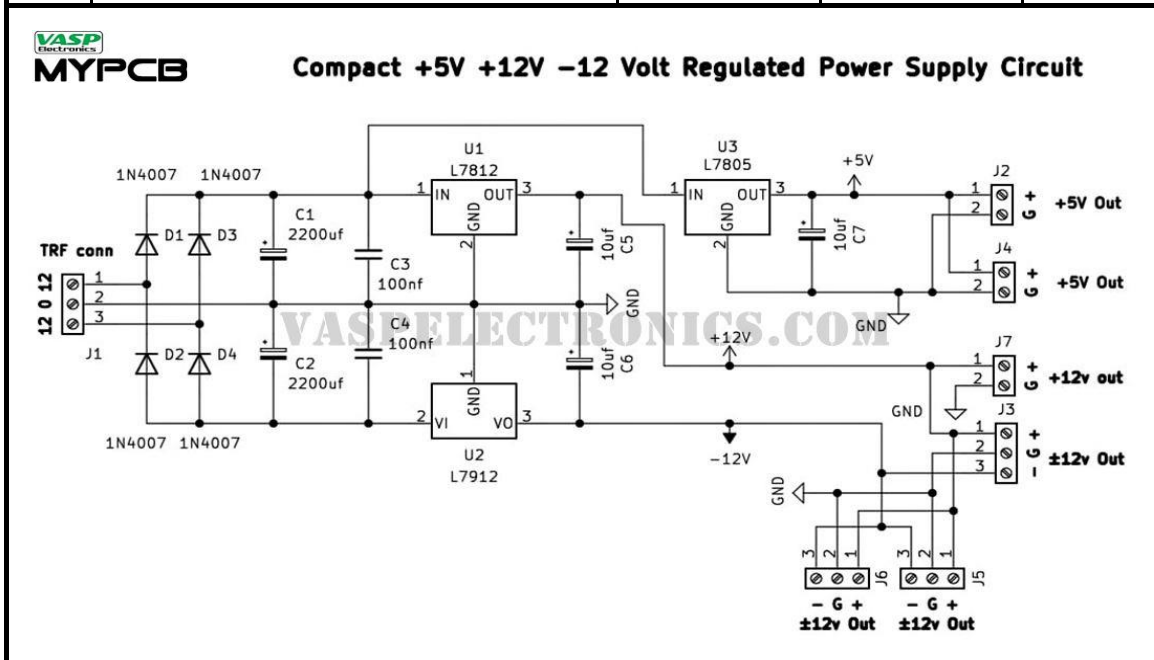




Ferret - Regulated Power Supply Board - List of Parts

No.	Description	References	Value	Quantity Per PCB
1	Ceramic Disc / Tantalum Capacitor	C3 C4	100nf / 50v	2
2	Aluminum Electrolytic Capacitor	C5 C6 C7	10uf /50v	3
3	Aluminum Electrolytic Capacitor	C1 C2	1000uf /35v	2
4	General Purpose Rectifier Diode	D1 D2 D3 D4	1N4007 / RL207	4
5	±12 Volt DC out Connector	J3 J5 J6	+12v G -12v	3
6	12 0 12 volt Transformer Connector	J1	12 0 12	1
7	+ 5v DC Connector	J2 J4	+5v GND	2
8	+ 12v DC Connector	J7	+12v GND	1
9	L7805	U3	L7805	1
10	L7812 / L7815	U1	L7812	1
11	L7912 / L7915	U2	L7912	1



For More information please visit - vaspelectronics.com