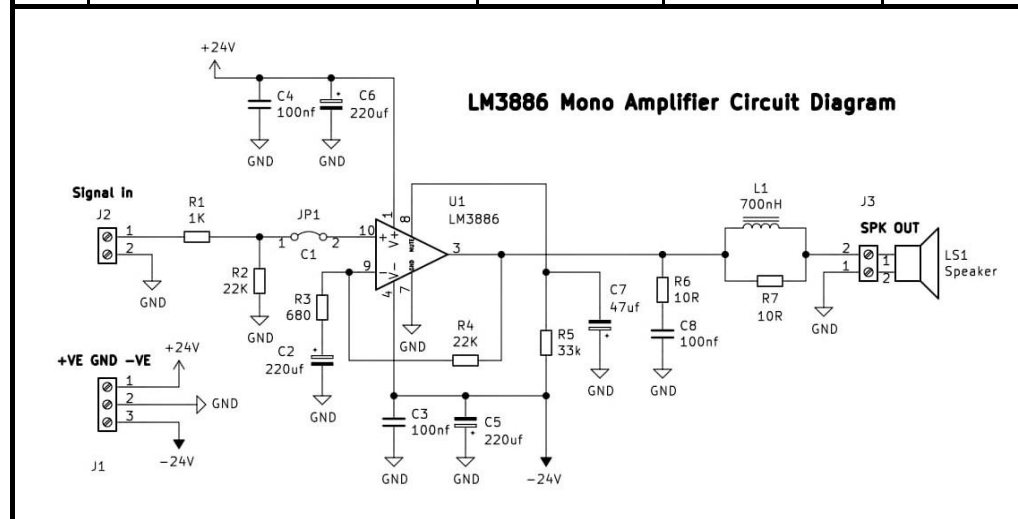




## Bison LM3886 Mono Amplifier List of Parts

No.	Description	References	Value	Quantity
1	Non Polar capacitor	C3 C4 C8	100nf 100v	3
2	Wire Jumper	JP1 / C1	Wire Jumper	1
3	Polarized capacitor	C2	220uf 25v	1
4	Polarized capacitor	C7	47uf 50v	1
5	Polarized capacitor	C5 C6	220uf 63v	2
6	Power Connector	J1	+VE GND -VE	1
7	Speaker Connector	J3	SPK OUT	1
8	Signal Input connector	J2	IN GND	1
9	Copper Coil on R7	L1	700 - 1000nH	1
10	Resistor 2 watt	R7	10R	1
11	Resistor 1/2 watt	R6	10R	1
12	Resistor 1/4 watt	R1	1K	1
13	Resistor 1/4 watt	R2 R4	22K	2
14	Resistor 1/4 watt	R5	33K	1
15	Resistor 1/4 watt	R3	680R*	1
16	LM3886	U1	LM3886	1



For More information please visit - [vaspelectronics.com](http://vaspelectronics.com)